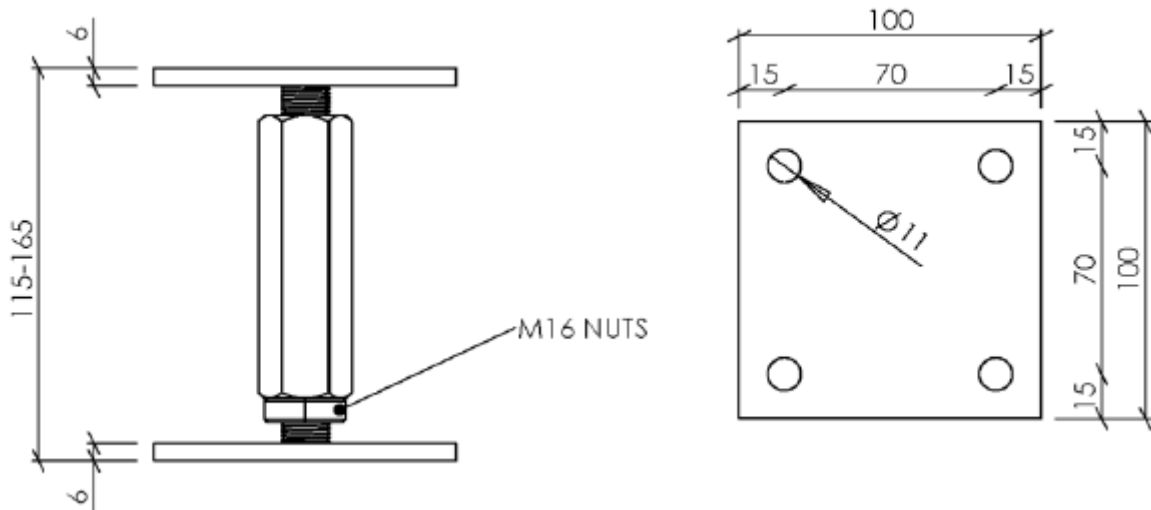


LOAD CAPACITY

Stanchion holder BH-100

ESSVE
GET IT DONE



Load Capacity of BH-100 in C24-timber (350 kg/m³) with 8x bolts

Load direction	F _{down}
Characteristic value [kN]	18,1
Design value [kN]	8,4
Allowable value [kg]	605